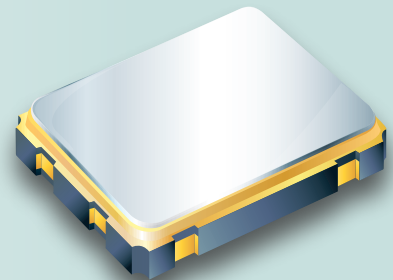


SMD RTC Crystal Oscillators 7.0 x 5.0 x 1.3 mm 7WZ Series

Features

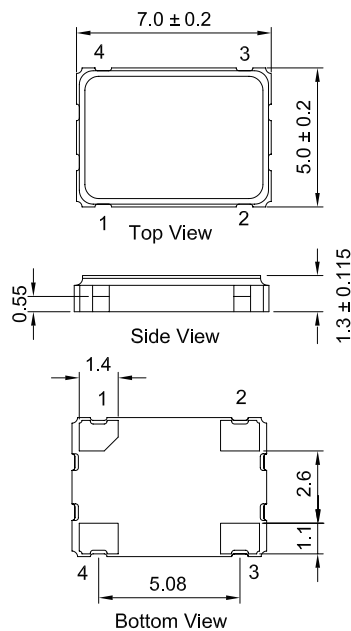
- Meet 32.768 kHz RTC clock signal for tight tolerance requirement.
- Easy to use SMD seam sealed ceramic package.
- 4 pads design to achieve good soldering contact on PCB.
- Use AT crystal as the resonator for good temperature performance.
- Tri-State function available for power saving.
- RoHS Compliant / Pb Free.



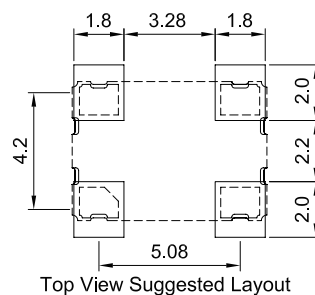
Electrical Specifications

Item / Type	7WZ
Norminal Frequency	32.768 kHz
Oscillation Mode	AT Fundamental
Output Type	CMOS
Output Load	15 pF, or specify
Supply Voltage	1.8 V , 2.5 V , 2.8 V , 3.3V
Frequency Stability	± 25 ppm , ± 50 ppm
Operating Temperature Range	-10 ~ + 70 °C , - 40 ~ + 85 °C
Storage Temperature Range	- 55 ~ + 125 °C
Voltage Vol (Max.) / Voh (Min.)	0.1 VDD / 0.9 VDD
Rise (Tr) / Fall (Tf) Time	250 ns Max.
Current Consumption	3 mA Max.
Symmetry	45 ~ 55 %
Start-up Time	10 ms Max.
Tri-state Voltage Vol (Max.) / Voh (Min.)	0.3 VDD / 0.7 VDD
Aging (at 25 °C)	± 5 ppm at first year

Dimensions



PAD FUNCTION:
 1: ENABLE CONTROL
 2: GND
 3: OUT
 4: VDD



Units: mm